

FRONT ELEVATION
STANDARD HEIGHT
TOWER A

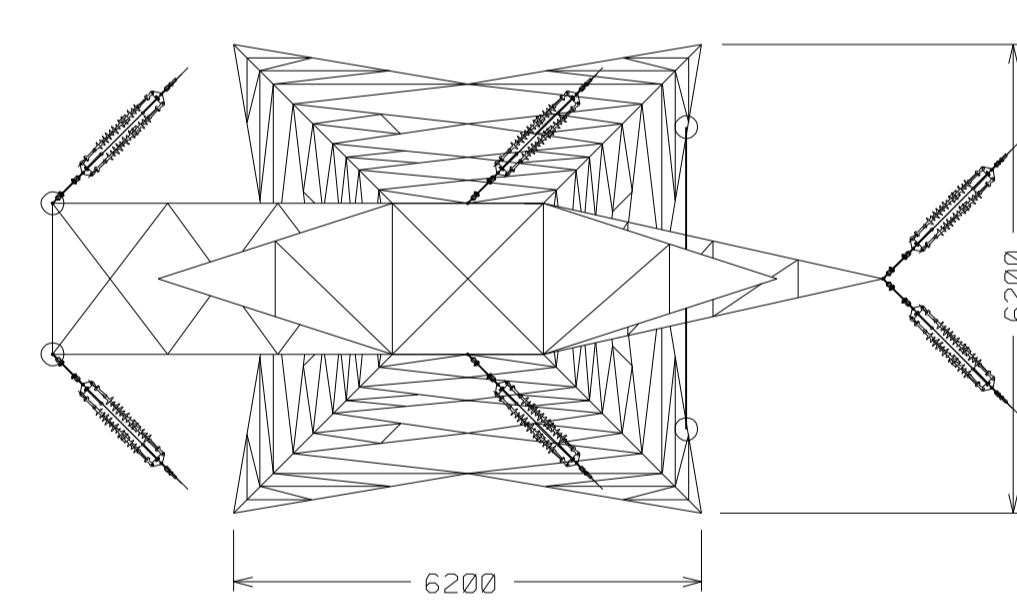
FRONT ELEVATION
-1m LEG
TOWER B

FRONT ELEVATION
+1m LEG
TOWER C

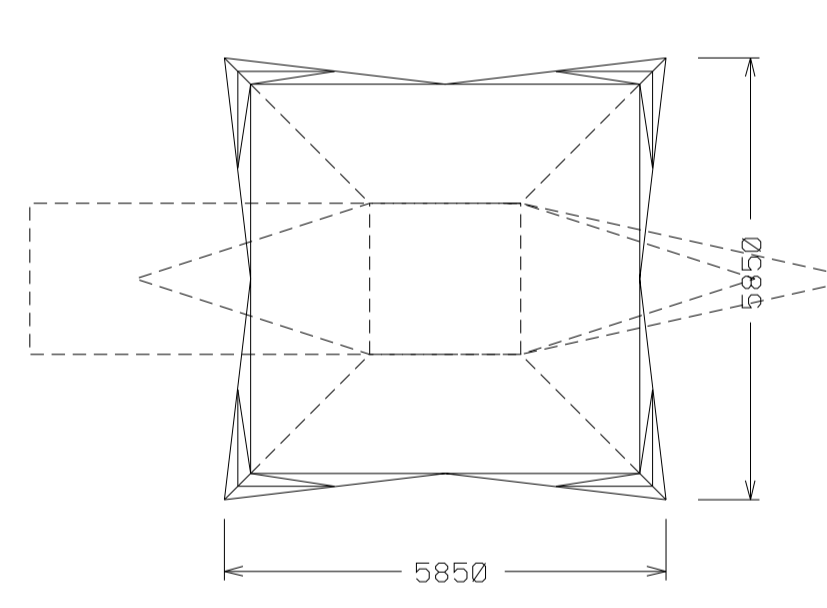
FRONT ELEVATION
+2m LEG
TOWER D

FRONT ELEVATION
+3m LEG
TOWER E

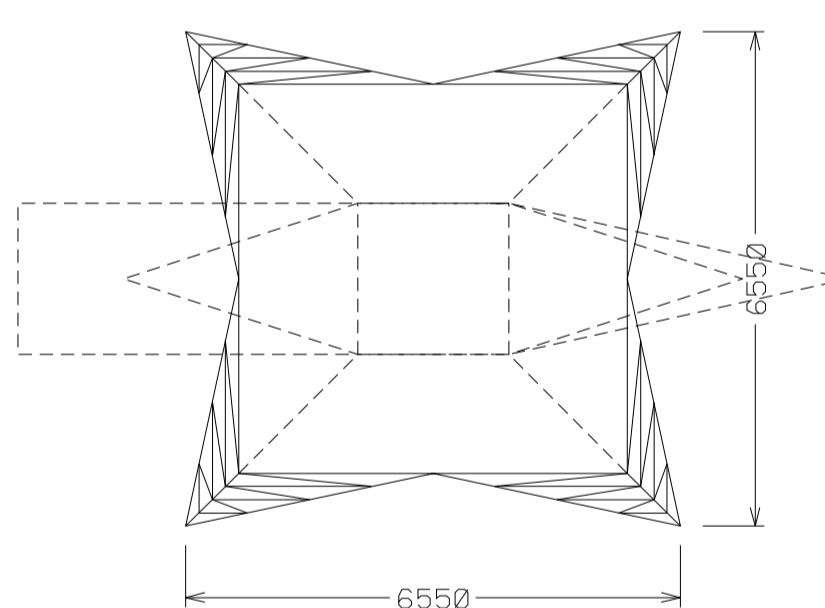
SIDE ELEVATION
STANDARD HEIGHT



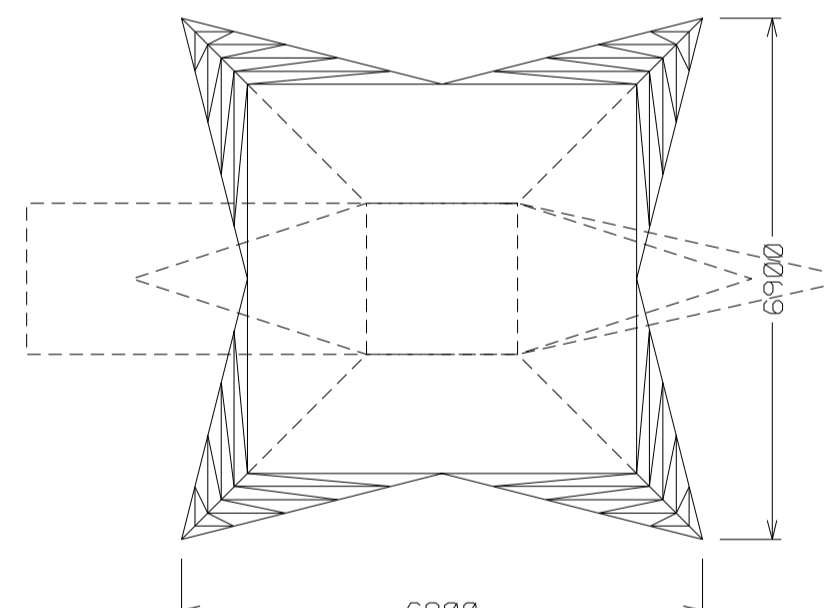
PLAN VIEW
STANDARD HEIGHT



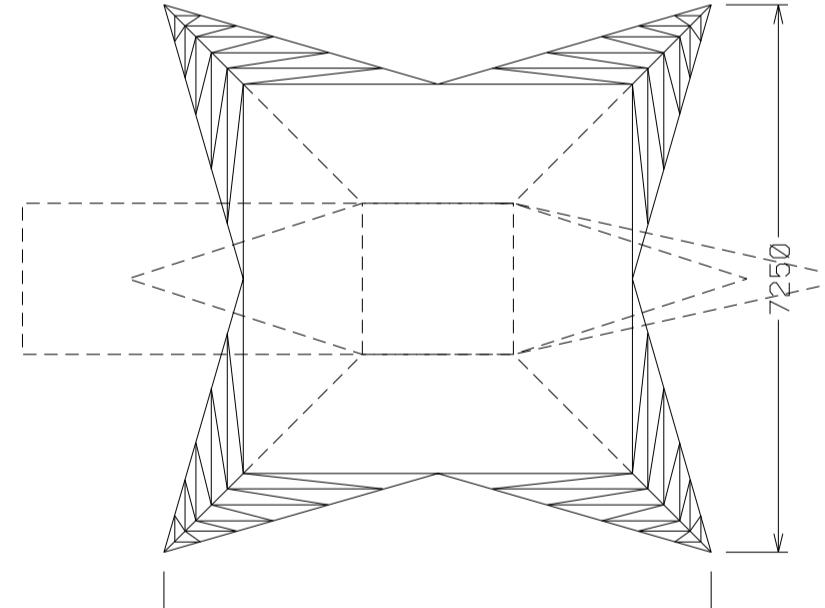
PLAN VIEW
-1m LEG



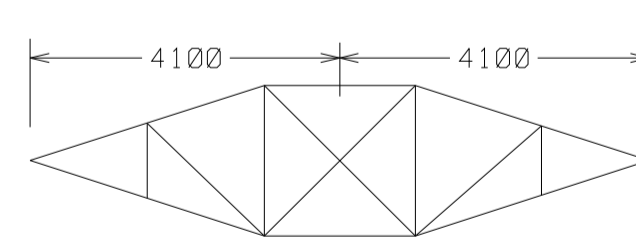
PLAN VIEW
+1m LEG



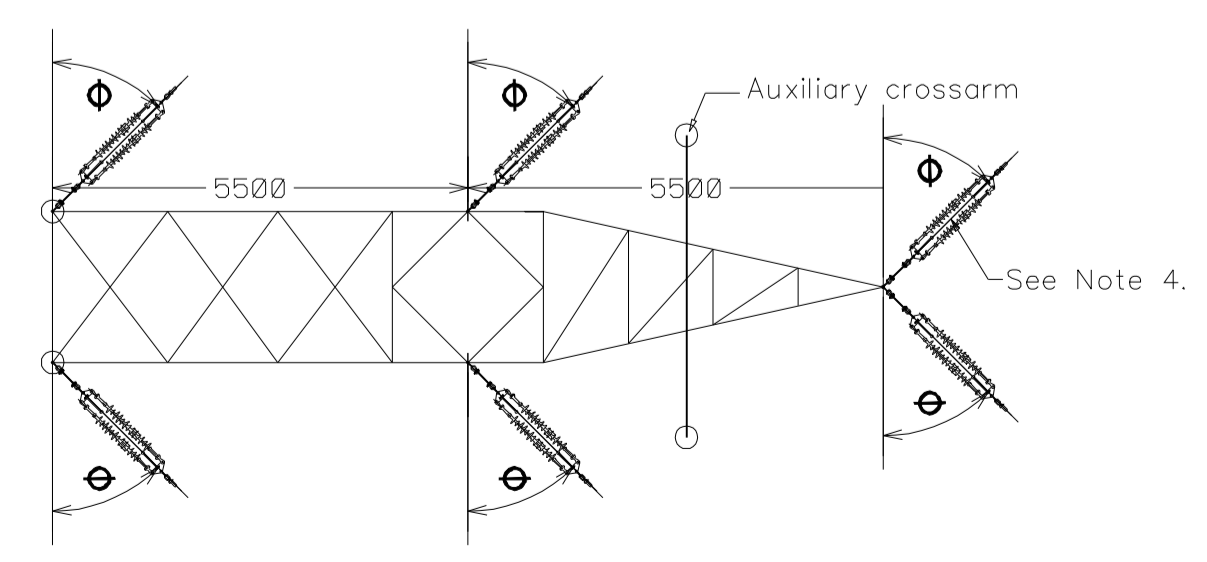
PLAN VIEW
+2m LEG



PLAN VIEW
+3m LEG



PLAN VIEW A-A



PLAN VIEW B-B

NOTES:

- STANDARD TOWER HEIGHT MAY BE VARIED USING LEG EXTENSIONS AS INDICATED.
- PLAN A-A & B-B ARE COMMON TO ALL TOWER HEIGHTS.
- INTERNAL BRACING MAY CHANGE DEPENDING ON TOWER SUPPLIER.
- ORIENTATION OF INSULATOR ϕ IN PLAN WILL VARY FROM 0° - 45° FOR EACH TOWER LOCATION
- ALL DIMENSIONS IN MILLIMETRES UNLESS STATED OTHERWISE.
- ACTUAL DIMENSIONS MAY BE LESS THAN SHOWN ON DRAWING, DEPENDING ON TOWER SUPPLIER.

1	DRAWING TITLE AND NOTES AMENDED.					
0	8/7/11 DRAWING APPROVED.	AK	DT	PE	PE	
REV.	DATE	REVISION DESCRIPTION	DRN	PROD	VER	APP
PURPOSE OF ISSUE - PRELIMINARY UNLESS INDICATED						
TENDER <input type="checkbox"/> CLIENT APPROVAL <input type="checkbox"/> CONSTRUCTION <input type="checkbox"/> AS-BUILT <input type="checkbox"/> REVISED <input type="checkbox"/>						
Client						
Project						
Materials						
Contract						
Drawing Title						
110kV LINE - OUTLINE DRAWING FOR PLANNING RL 1 & 3 SINGLE CIRCUIT STRAIN TOWERS WITH SHIELDWIRE FOR ALL CHANGES IN-LINE DIRECTION UP TO 90° T12 - MAX HEIGHT 21.5m						
Production Unit						
High Voltage Engineering						
ESB International ESBI Energy Innovation <small>ESBI Engineering Solutions, Stephen Court, 18-21 St. Stephen's Green, Dublin 2, Ireland. Tel: (0)1 703 8000 Fax: +353 (0)1 703 7196 Email: marketing@esbi.ie Web: www.esbi.ie ESBI Engineering Solutions is a trading name of ESBI Engineering & Facility Management Limited. Registered Office: as above Registered in Ireland No. 152249</small>						
DRAWN	PRODUCED	VERIFIED	APPROVED	APPD DATE		
A.King	L.Connolly	D.Tuohy	P.Ernis	05/03/12		
CLIENT REF	No. of Shls	SIZE	SCALE			
TC205036	-	A1	1/100			
DRAWING NUMBER				SHEET REV		
PG567-D004-463-001-001						